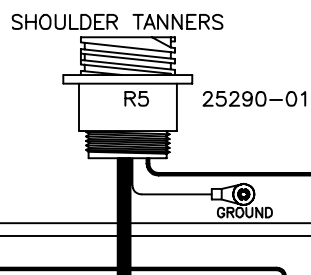
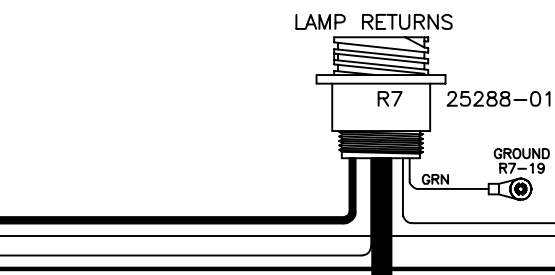
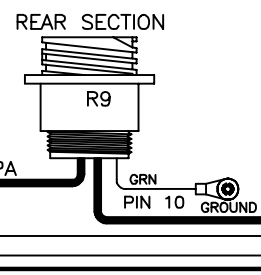
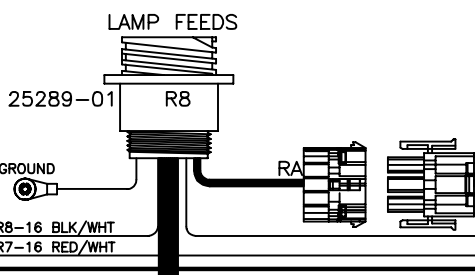
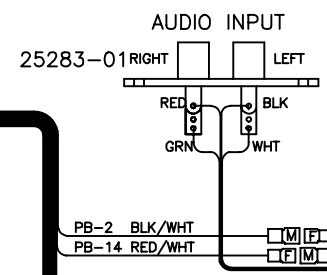
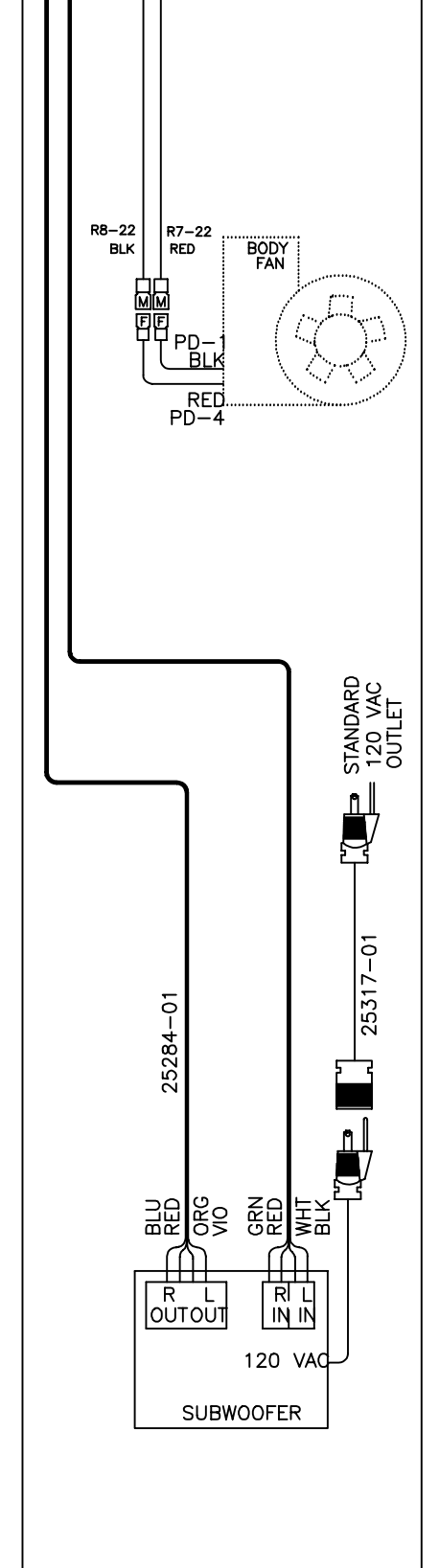
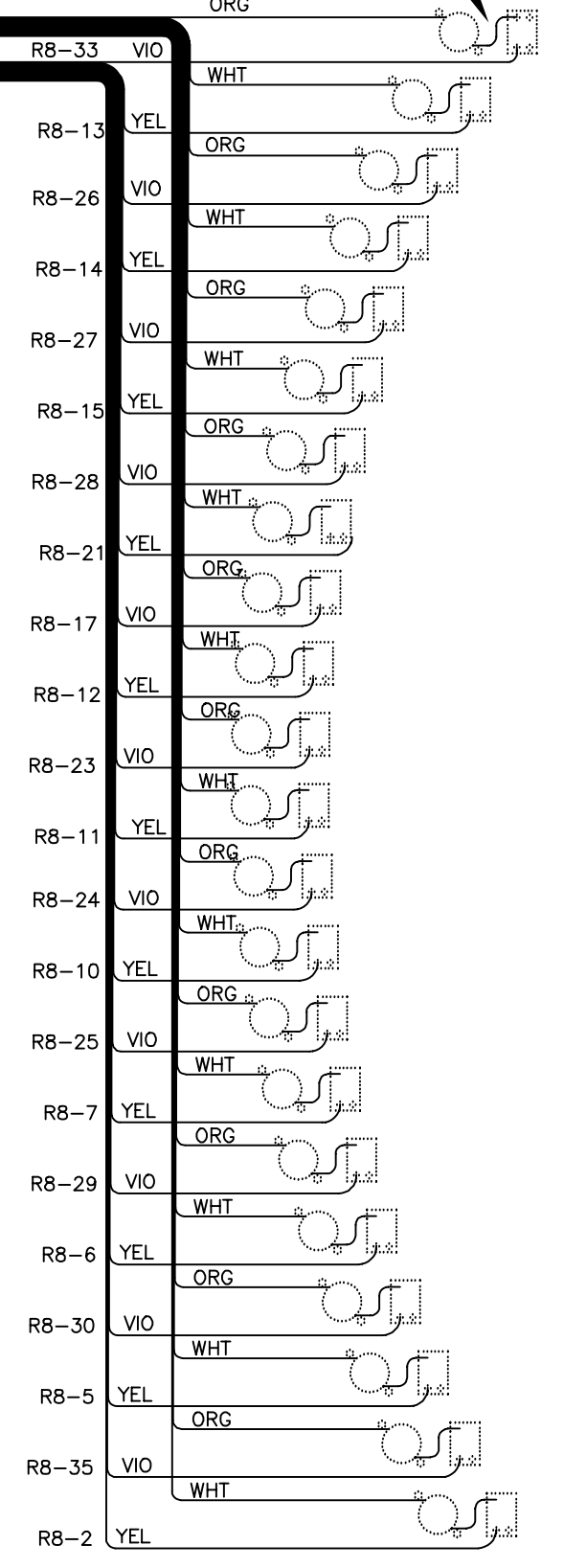
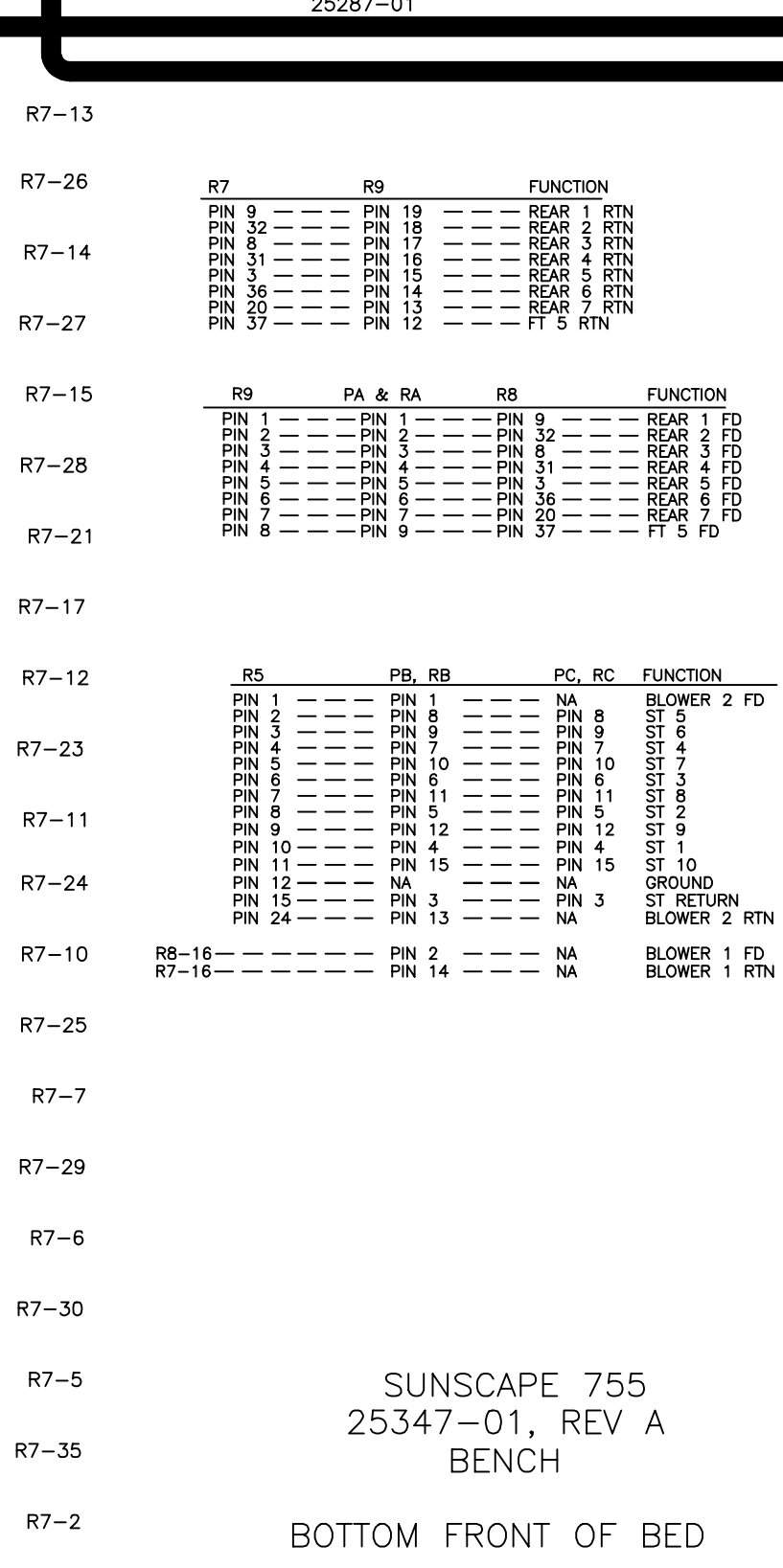
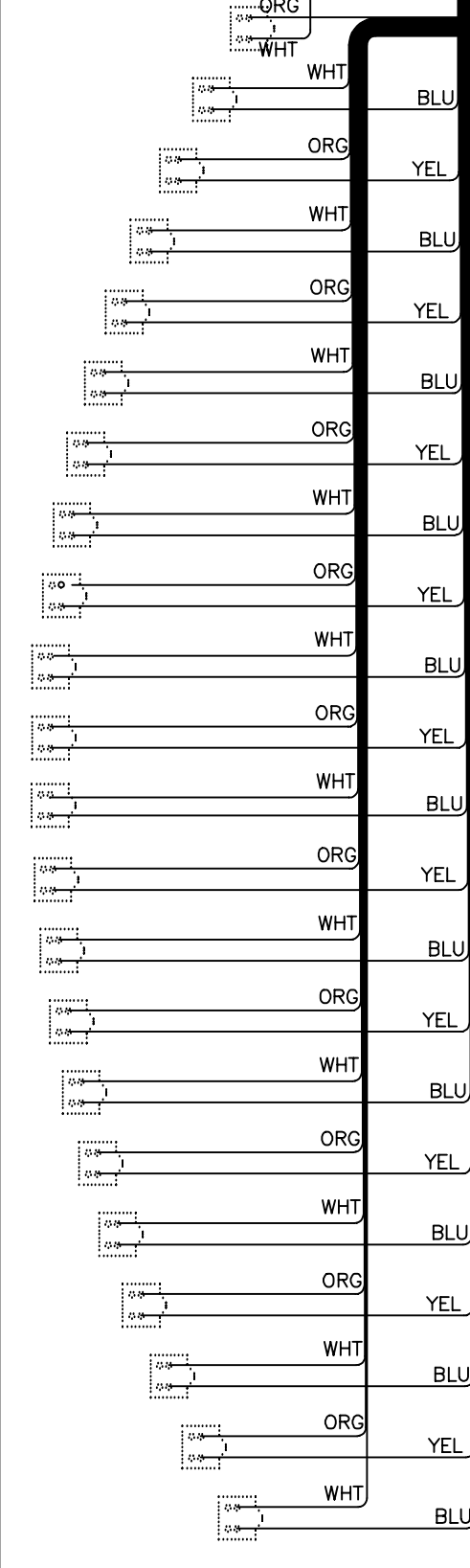
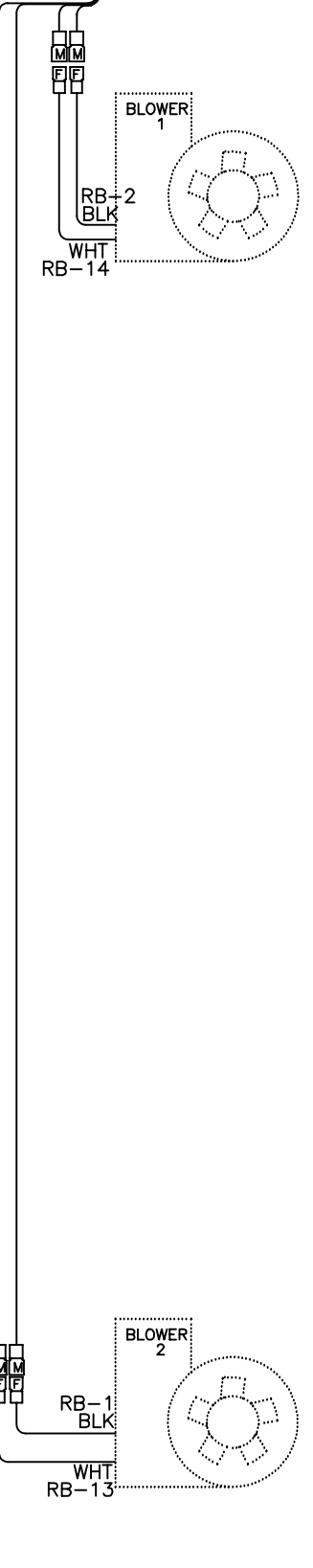
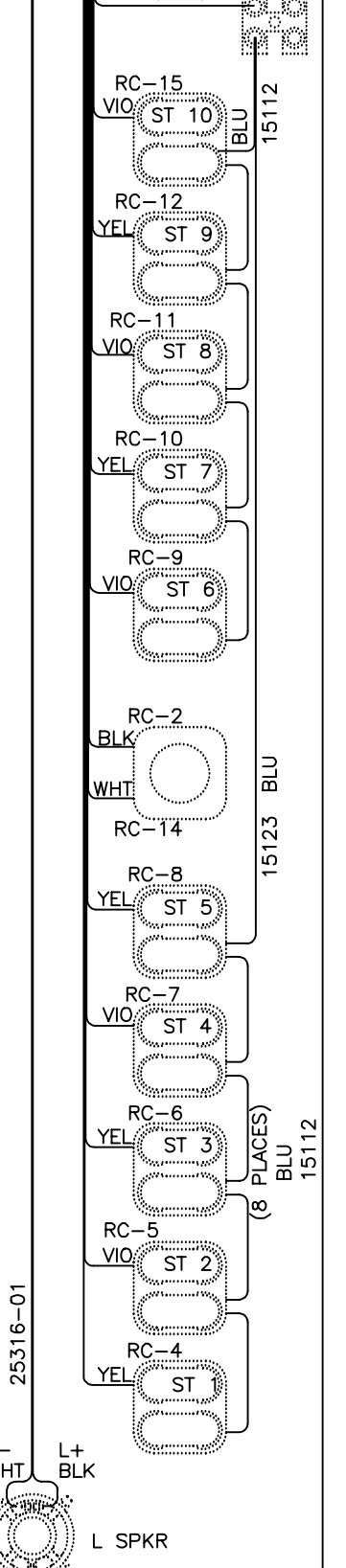
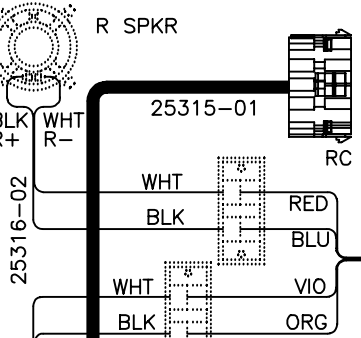
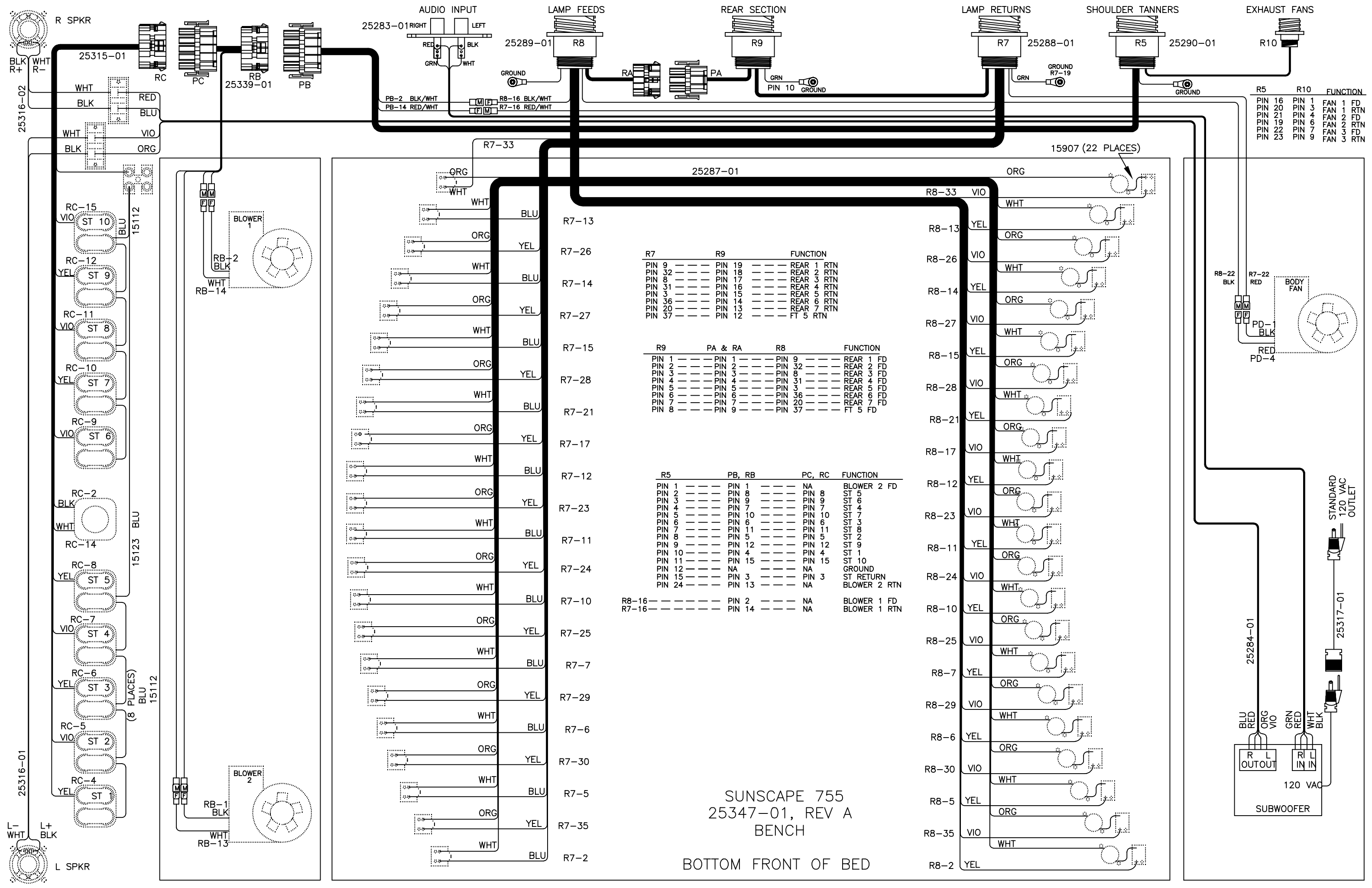


SUNSCAPE 755
25347-01, REV A
CANOPY

FRONT OF BED



R7		R9		FUNCTION	
PIN 9	---	PIN 19	---	REAR 1	RTN
PIN 32	---	PIN 18	---	REAR 2	RTN
PIN 8	---	PIN 17	---	REAR 3	RTN
PIN 31	---	PIN 16	---	REAR 4	RTN
PIN 3	---	PIN 15	---	REAR 5	RTN
PIN 36	---	PIN 14	---	REAR 6	RTN
PIN 20	---	PIN 13	---	REAR 7	RTN
PIN 37	---	PIN 12	---	FT 5	RTN

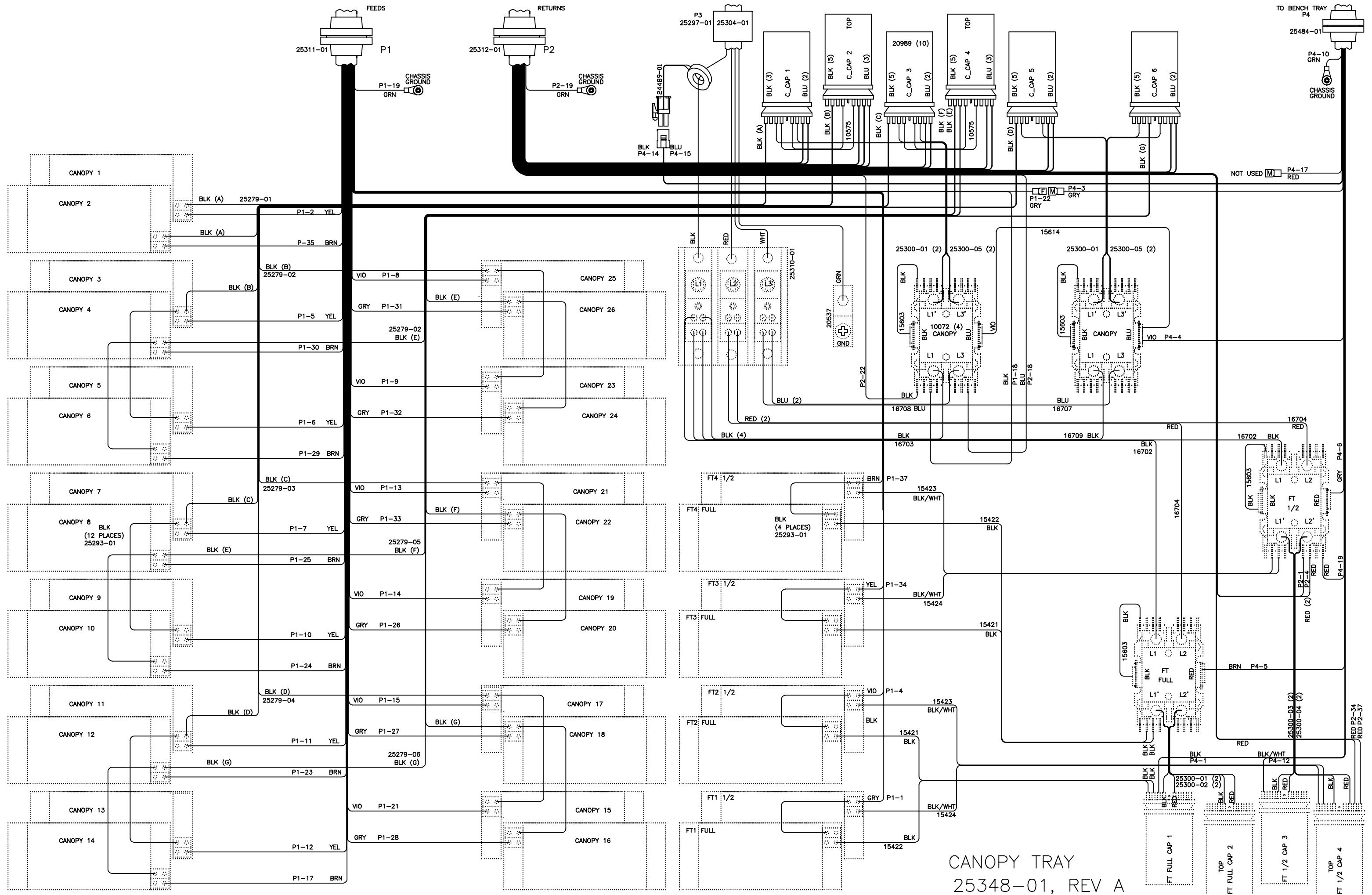
R9		PA & RA		R8		FUNCTION	
PIN 1	---	PIN 1	---	PIN 9	---	REAR 1	FD
PIN 2	---	PIN 2	---	PIN 32	---	REAR 2	FD
PIN 3	---	PIN 3	---	PIN 8	---	REAR 3	FD
PIN 4	---	PIN 4	---	PIN 31	---	REAR 4	FD
PIN 5	---	PIN 5	---	PIN 3	---	REAR 5	FD
PIN 6	---	PIN 6	---	PIN 36	---	REAR 6	FD
PIN 7	---	PIN 7	---	PIN 20	---	REAR 7	FD
PIN 8	---	PIN 9	---	PIN 37	---	FT 5	FD

R5		PB, RB		PC, RC		FUNCTION	
PIN 1	---	PIN 1	---	NA	8	BLOWER 2	FD
PIN 2	---	PIN 8	---	PIN 8	---	ST 5	---
PIN 3	---	PIN 9	---	PIN 9	---	ST 6	---
PIN 4	---	PIN 7	---	PIN 7	---	ST 4	---
PIN 5	---	PIN 10	---	PIN 10	---	ST 7	---
PIN 6	---	PIN 6	---	PIN 6	---	ST 3	---
PIN 7	---	PIN 11	---	PIN 11	---	ST 8	---
PIN 8	---	PIN 5	---	PIN 5	---	ST 2	---
PIN 9	---	PIN 12	---	PIN 12	---	ST 9	---
PIN 10	---	PIN 4	---	PIN 4	---	ST 1	---
PIN 11	---	PIN 15	---	PIN 15	---	ST 10	---
PIN 12	---	NA	---	NA	---	GROUND	---
PIN 15	---	PIN 3	---	PIN 3	---	ST RETURN	---
PIN 24	---	PIN 13	---	NA	---	BLOWER 2	RTN

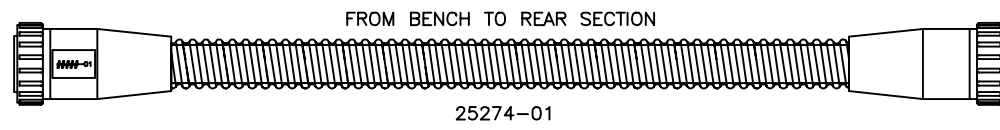
R8-16		PIN 2		FUNCTION	
---	---	---	---	BLOWER 1	FD
---	---	---	---	BLOWER 1	RTN

SUNSCAPE 755
25347-01, REV A
BENCH
BOTTOM FRONT OF BED

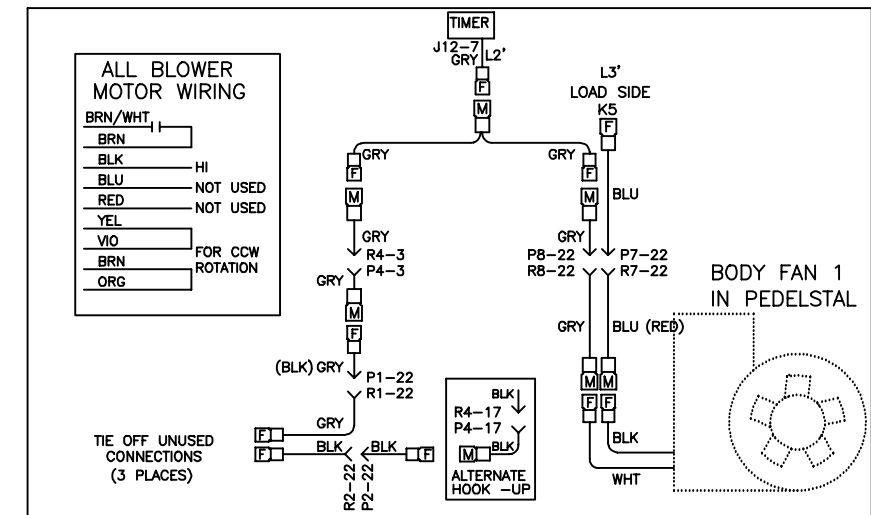
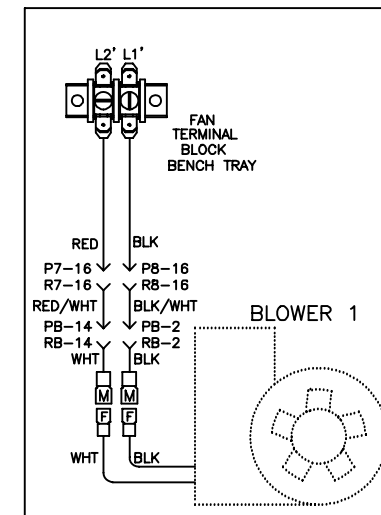
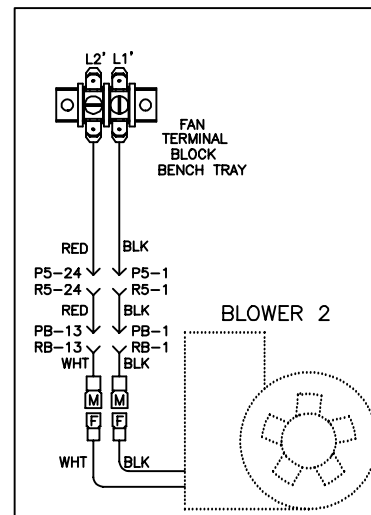
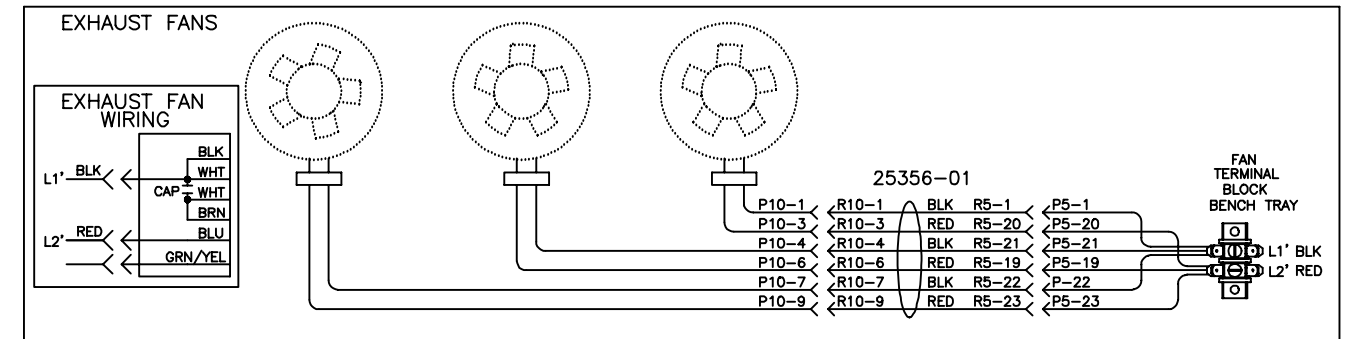
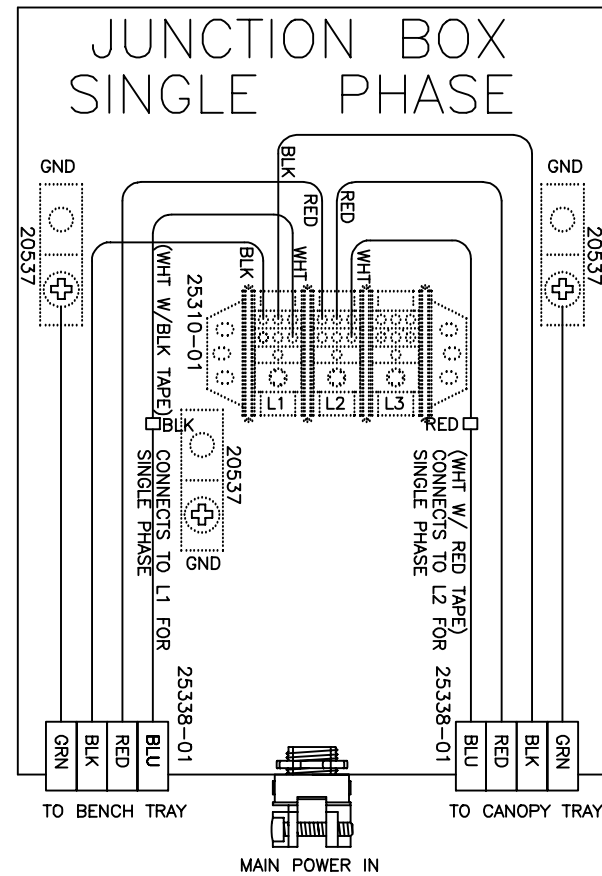
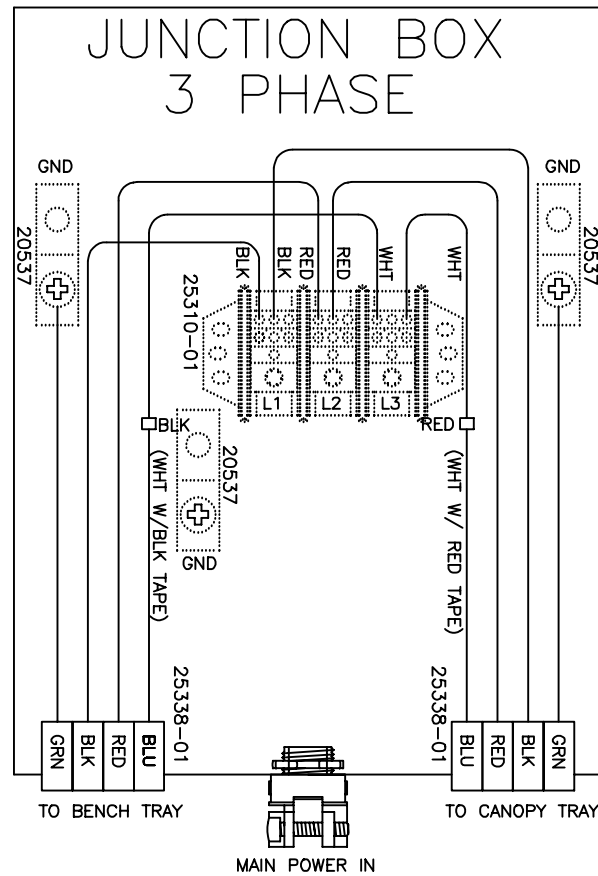
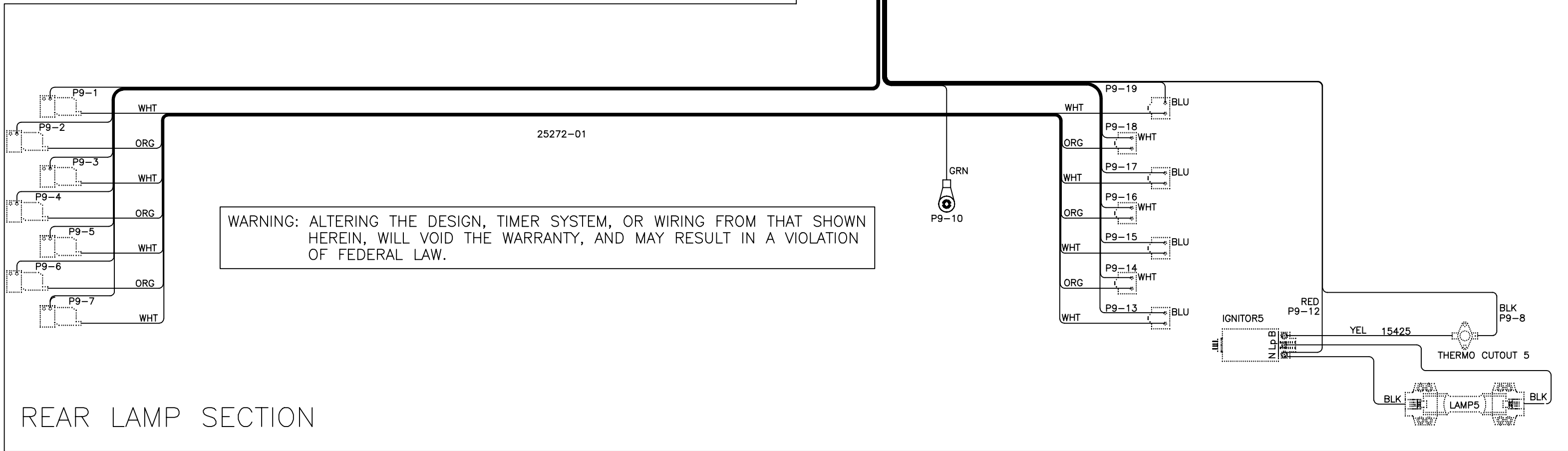
R5	R10	FUNCTION
PIN 16	PIN 1	FAN 1 FD
PIN 20	PIN 3	FAN 1 RTN
PIN 21	PIN 4	FAN 2 FD
PIN 19	PIN 6	FAN 2 RTN
PIN 22	PIN 7	FAN 3 FD
PIN 23	PIN 9	FAN 3 RTN

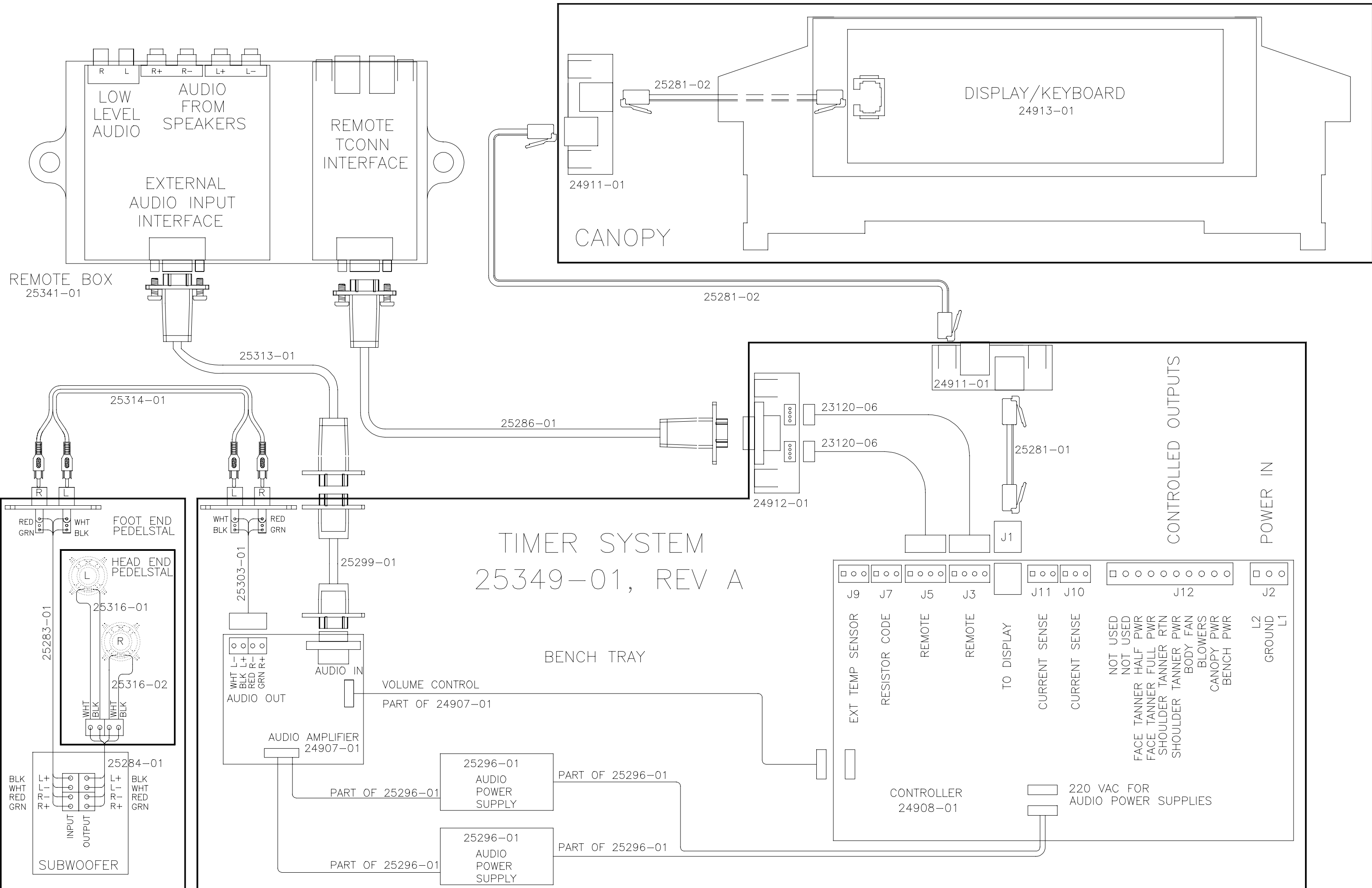


CANOPY TRAY
25348-01, REV A



25349-01, REV A





REMOTE BOX
25341-01

CANOPY

DISPLAY/KEYBOARD
24913-01

TIMER SYSTEM
25349-01, REV A

BENCH TRAY

CONTROLLED OUTPUTS

POWER IN

CONTROLLER
24908-01

220 VAC FOR
AUDIO POWER SUPPLIES

